

Navitech Shipping Services

126-128 Notara Str. 1st floor Tel: +30-2104533293 Fax: +30-2104533793

Email: navitech@tpp24.gr info@navitech.gr

Web: www.navitech.gr



HATCH COVERS REPAIRS ESTIMATION

Project No: 001/2011

M/V "TBN"

Class: ABS

IMO. NUM: 1111111

Approved by:

ISO 9001:2000



ΕΛΛΗΝΙΚΟΣ ΝΗΟΕΝΩΜΩΝ
HELLENIC REGISTER OF SHIPPING



GENERAL PARTICULARS

VESSEL'S NAME :	<u>M/V TBN</u>
OWNERS/MANAGERS:	NAVITECH S.S.
ADDRESS:	Piraeus Greece
IMO No:	100001
CLASSIFICATION:	D.N.V.
CLASS ID No:	100010
FLAG:	GREECE
PORT OF REGISTRY:	PIRAEUS
TYPE OF VESSEL:	BULK CARRIER

SURVEY TYPE:	RENEWAL ,LOAD LINE
PLACE:	AT SEE
DEPARTURE DATE:	1/1/2011
ARRIVAL DATE:	4/1/2011
OPERATOR'S NAME:	BOURNIAS TH.
NDT EQUIPMENT USED:	SHERLOG TA
PROJECT No:	NAV / COVERS 2009/001

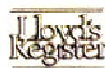
VESSEL'S PARTICULARS

LOA:	180,59 mtrs
LPP:	168,05 mtrs
DRAUGHT:	14,20 mtrs
DEPTH	12,80 mtrs
BREADTH:	24,10 mtrs
DWT:	22584,58 MT
HATCHES :	5

COVERS NOT INSPECTED

1	No1 Covers Cross joint stoppers
2	
3	
4	
5	
6	
7	
8	
9	

TOTAL PAGES : 4



ΕΛΛΗΝΙΚΟΨ ΝΗΟΓΝΩΜΟΝ
HELLENIC REGISTER OF SHIPPING



CONTENTS

A/A	<u>INSPECTED AREA</u>	<u>PAGE</u>	<u>DRAWING REF.</u> <u>PAGE No</u>
1	COVER No1.PORT	No 3	
2	COVER No2.PORT	No 4	



ANALYSIS OF TOTAL STEEL WEIGHT ESTIMATION

M/V TBN

ITEM No	AREA SURVEYED	WEIGHT IN Kgs											ACTUAL WEIGHT TOTAL	TOTAL INCL. 10 KG MIN REPAIR
		Small Pieces (PCS)	RUBBER PACKING (MTRS)	ANGLE BARS (MTRS)	FLAT BARS (MTRS)	AH	PLATE	FLAT BARS (FB)	ANGLE BARS (A.B.)	BULB	BRCKT			
1	COVER No1.PORT	3	18.000	11.000	15.500	706,4	514,3	103,6	88,9	489,6	8,5	1.318,0	1.328,6	
2	COVER No2.PORT	5	24.000	20.000	27.500	1.003,6	1.341,4	184,0	283,6	489,6	17,0	2.428,6	2.442,9	
3														
4														
5														
6														
7														
8														
9														
10														
11														
12														
13														
14														
15														
16														
17														
18														
19														
20														
21														
22														
22														
GRAND TOTALS :		8,0	42000,0	31000,0	43000,0	1710,0	1855,7	287,6	372,5	979,1	25,4	3746,6	3.771,5	

VESSEL'S NAME: **M/V TBN**

HATCH No														
ITEM No.	LOCATION				BULB run mtr	L1 (mm)	L2 (mm)	H (mm)	t (mm)	UNIT WEIGHT DIM (Kgs)	BULB (Kgs)	PCS	ITEM WEIGHT (Kgs)	10 KG MIN REPAIR FINAL (kgs)
		REFERENCE	SRUCTURAL ITEM	GRADE										
N1	PANNEL PORT	STIFFENER	FB	A	-	1.500		200	12,0	28,260	0,000	1,0	28,260	28,3
N2	PANNEL PORT	STIFFENER	FB	A	-	2.000		80	12,0	15,072	0,000	1,0	15,072	15,1
N3	PANNEL PORT	TOP PLATE	PLATE	A	-	500		100	8,0	3,140	0,000	1,0	3,140	10,0
N4	PANNEL PORT	STIFFENER	AB	A	-	8.000		124	8,0	62,298	0,000	1,0	62,298	62,3
N5	PANNEL PORT	TOP PLATE	PLATE	AH	-	800		800	8,0	40,192	0,000	1,0	40,192	40,2
N6	PANNEL PORT	TOP PLATE	PLATE	A	-	1.500		1.000	10,0	117,750	0,000	1,0	117,750	117,8
N7	PANNEL PORT	TOP PLATE	PLATE	AH	-	1.500		1.500	10,0	176,625	0,000	1,0	176,625	176,6
N8	PANNEL PORT	TOP PLATE	PLATE	A	-	1.500		1.500	10,0	176,625	0,000	1,0	176,625	176,6
N9	PANNEL PORT	RUBBER PACKING	RP		-	6.000				0,000	0,000	0,0	0,000	0,0
N10	PANNEL PORT	STIFFENER	AB	A	-	1.000		124	8,0	7,787	0,000	1,0	7,787	10,0
N11	PANNEL PORT	STIFFENER	BRACKET	A	-	1.200		150	6,0	8,478	0,000	1,0	8,478	10,0
N12	PANNEL PORT	SIDE PLATE	FB	A	-	8.000		80	8,0	40,192	0,000	1,0	40,192	40,2
N13	PANNEL PORT	AFT SIDE PLATE	FB	A	-	4.000		80	8,0	20,096	0,000	1,0	20,096	20,1
N14	PANNEL PORT	RUBBER PACKING	RP		-	4.000				0,000	0,000	0,0	0,000	0,0
N15	PANNEL PORT	RUBBER PACKING	RP		-	4.000				0,000	0,000	0,0	0,000	0,0
N16	PANNEL PORT	RUBBER PACKING	RP		-	4.000				0,000	0,000	0,0	0,000	0,0
N17	PANNEL CENTER	STIFFENER	AB	A	-	2.000		150	8,0	18,840	0,000	1,0	18,840	18,8
N18	PANNEL CENTER	STIFFENER	BULB	AH	5,00	450			12,0	0,000	286,133	1,0	286,133	286,1
N19	PANNEL STBD	STIFFENER	BULB	AH	3,56	450			12,0	0,000	203,440	1,0	203,440	203,4
N20	PANNEL PORT	STIFFENER	TOP PLATE	A	-	1.500		1.200	8,0	113,040	0,000	1,0	113,040	113,0
N21	PANNEL STBD	STIFFENER	TOP PLATE		-					0,000	0,000	0,0	0,000	0,0
N22					-					0,000	0,000	0,0	0,000	0,0
N23					-					0,000	0,000	0,0	0,000	0,0
N24					-					0,000	0,000	0,0	0,000	0,0
N25					-					0,000	0,000	0,0	0,000	0,0
N26					-					0,000	0,000	0,0	0,000	0,0
N27					-					0,000	0,000	0,0	0,000	0,0
N28					-					0,000	0,000	0,0	0,000	0,0
N29					-					0,000	0,000	0,0	0,000	0,0
N30					-					0,000	0,000	0,0	0,000	0,0
N31					-					0,000	0,000	0,0	0,000	0,0
N32					-					0,000	0,000	0,0	0,000	0,0
N33					-					0,000	0,000	0,0	0,000	0,0
N34					-					0,000	0,000	0,0	0,000	0,0
N35					-					0,000	0,000	0,0	0,000	0,0
N36					-					0,000	0,000	0,0	0,000	0,0
N37					-					0,000	0,000	0,0	0,000	0,0
N38					-					0,000	0,000	0,0	0,000	0,0
TOTALS:											0,0	1.318,0	1.328,6	
GRAND TOTAL:												1.318,0	1.328,6	

TOTALS	SM. PCS	RUBBERS	METERS AB	METERS FB	AH	PLATE	FB	CORRUGATED	A.B.	BULB	BRACKET
	3	18000	11000	15500	706,4	514,3	103,6	0,0	88,9	489,6	8,5
GRAND TOTAL:										1.328,6	
* : BULB BAR WEIGHT CALCULATED : FB x 1,35											

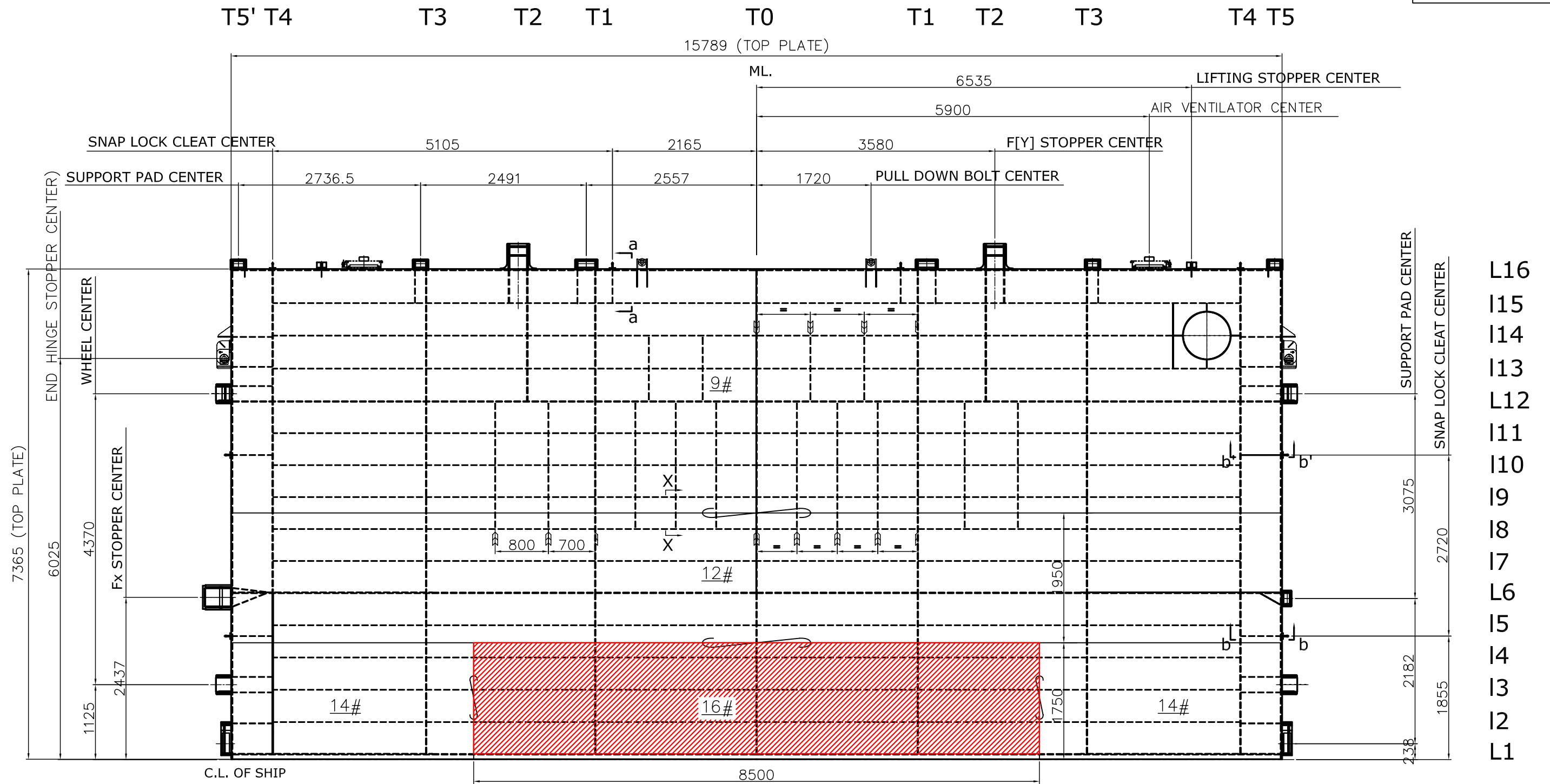
VESSEL'S NAME: **M/V TBN**

HATCH No														
ITEM No.	LOCATION				BULB run mtr	L1 (mm)	L2 (mm)	H (mm)	t (mm)	UNIT WEIGHT DIM (Kgs)	BULB (Kgs)	PCS	ITEM WEIGHT (Kgs)	10 KG MIN REPAIR FINAL (kgs)
		REFERENCE	SRUCTURAL ITEM	GRADE										
N1	PANNEL PORT	STIFFENER	FB	A	-	1.500		200	12,0	28,260	0,000	1,0	28,260	28,3
N2	PANNEL PORT	STIFFENER	FB	A	-	2.000		80	12,0	15,072	0,000	1,0	15,072	15,1
N3	PANNEL PORT	TOP PLATE	PLATE	A	-	500		100	8,0	3,140	0,000	1,0	3,140	10,0
N4	PANNEL PORT	STIFFENER	AB	A	-	8.000		124	8,0	62,298	0,000	1,0	62,298	62,3
N5	PANNEL PORT	TOP PLATE	PLATE	AH	-	800		800	8,0	40,192	0,000	1,0	40,192	40,2
N6	PANNEL PORT	TOP PLATE	PLATE	A	-	1.500		1.000	10,0	117,750	0,000	1,0	117,750	117,8
N7	PANNEL PORT	TOP PLATE	PLATE	AH	-	1.500		1.500	10,0	176,625	0,000	1,0	176,625	176,6
N8	PANNEL PORT	TOP PLATE	PLATE	A	-	1.500		1.500	10,0	176,625	0,000	1,0	176,625	176,6
N9	PANNEL PORT	RUBBER PACKING	RP		-	6.000				0,000	0,000	0,0	0,000	0,0
N10	PANNEL PORT	STIFFENER	AB	A	-	1.000		124	8,0	7,787	0,000	1,0	7,787	10,0
N11	PANNEL PORT	STIFFENER	BRACKET	A	-	1.200		150	6,0	8,478	0,000	1,0	8,478	10,0
N12	PANNEL PORT	SIDE PLATE	FB	A	-	8.000		80	8,0	40,192	0,000	1,0	40,192	40,2
N13	PANNEL PORT	AFT SIDE PLATE	FB	A	-	4.000		80	8,0	20,096	0,000	1,0	20,096	20,1
N14	PANNEL PORT	RUBBER PACKING	RP		-	4.000				0,000	0,000	0,0	0,000	0,0
N15	PANNEL PORT	RUBBER PACKING	RP		-	4.000				0,000	0,000	0,0	0,000	0,0
N16	PANNEL PORT	RUBBER PACKING	RP		-	4.000				0,000	0,000	0,0	0,000	0,0
N17	PANNEL CENTER	STIFFENER	AB	A	-	2.000		150	8,0	18,840	0,000	1,0	18,840	18,8
N18	PANNEL CENTER	STIFFENER	BULB	AH	5,00	450			12,0	0,000	286,133	1,0	286,133	286,1
N19	PANNEL STBD	STIFFENER	BULB	AH	3,56	450			12,0	0,000	203,440	1,0	203,440	203,4
N20	PANNEL PORT	STIFFENER	TOP PLATE	A	-	1.500		1.200	8,0	113,040	0,000	1,0	113,040	113,0
N21	PANNEL STBD	STIFFENER	TOP PLATE		-					0,000	0,000	0,0	0,000	0,0
N22		STIFFENER	AB	A	-	8.000		124	8,0	62,298	0,000	3,0	186,893	186,9
N23		TOP PLATE	PLATE	AH	-	800		800	8,0	40,192	0,000	3,0	120,576	120,6
N24		TOP PLATE	PLATE	A	-	1.500		1.000	10,0	117,750	0,000	3,0	353,250	353,3
N25		TOP PLATE	PLATE	AH	-	1.500		1.500	10,0	176,625	0,000	1,0	176,625	176,6
N26		TOP PLATE	PLATE	A	-	1.500		1.500	10,0	176,625	0,000	1,0	176,625	176,6
N27		RUBBER PACKING	RP		-	6.000				0,000	0,000	0,0	0,000	0,0
N28		STIFFENER	AB	A	-	1.000		124	8,0	7,787	0,000	1,0	7,787	10,0
N29		STIFFENER	BRACKET	A	-	1.200		150	6,0	8,478	0,000	1,0	8,478	10,0
N30		SIDE PLATE	FB	A	-	8.000		80	8,0	40,192	0,000	1,0	40,192	40,2
N31		AFT SIDE PLATE	FB	A	-	4.000		80	8,0	20,096	0,000	2,0	40,192	40,2
N32					-					0,000	0,000	0,0	0,000	0,0
N33					-					0,000	0,000	0,0	0,000	0,0
N34					-					0,000	0,000	0,0	0,000	0,0
N35					-					0,000	0,000	0,0	0,000	0,0
N36					-					0,000	0,000	0,0	0,000	0,0
N37					-					0,000	0,000	0,0	0,000	0,0
N38					-					0,000	0,000	0,0	0,000	0,0
TOTALS:											0,0	2.428,6	2.442,9	
GRAND TOTAL:												2.428,6	2.442,9	

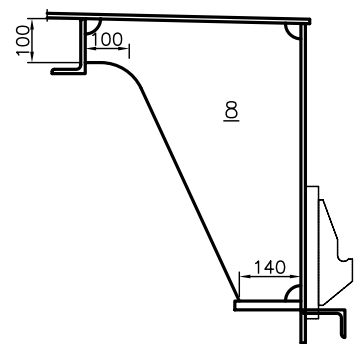
TOTALS	SM. PCS	RUBBERS	METERS AB	METERS FB	AH	PLATE	FB	CORRUGATED	A.B.	BULB	BRACKET
	5	24000	20000	27500	1003,6	1341,4	184,0	0,0	283,6	489,6	17,0
GRAND TOTAL:											2.442,9
* : BULB BAR WEIGHT CALCULATED : FB x 1,35											



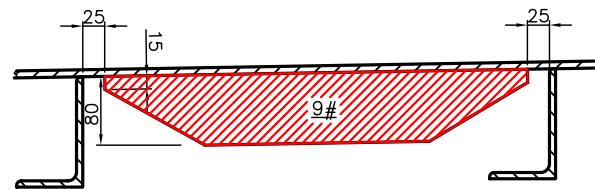
DRAWINGS



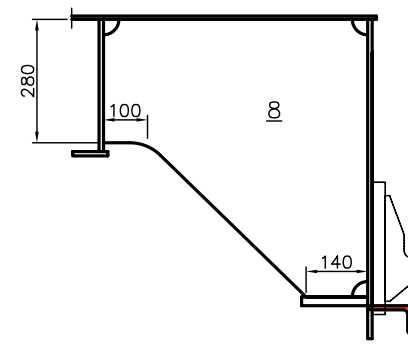
a-a



X-X



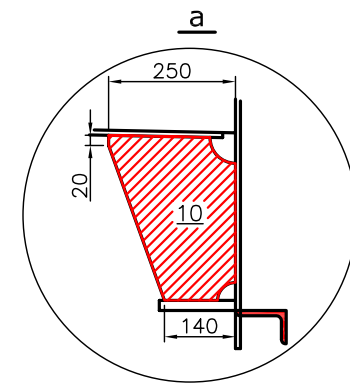
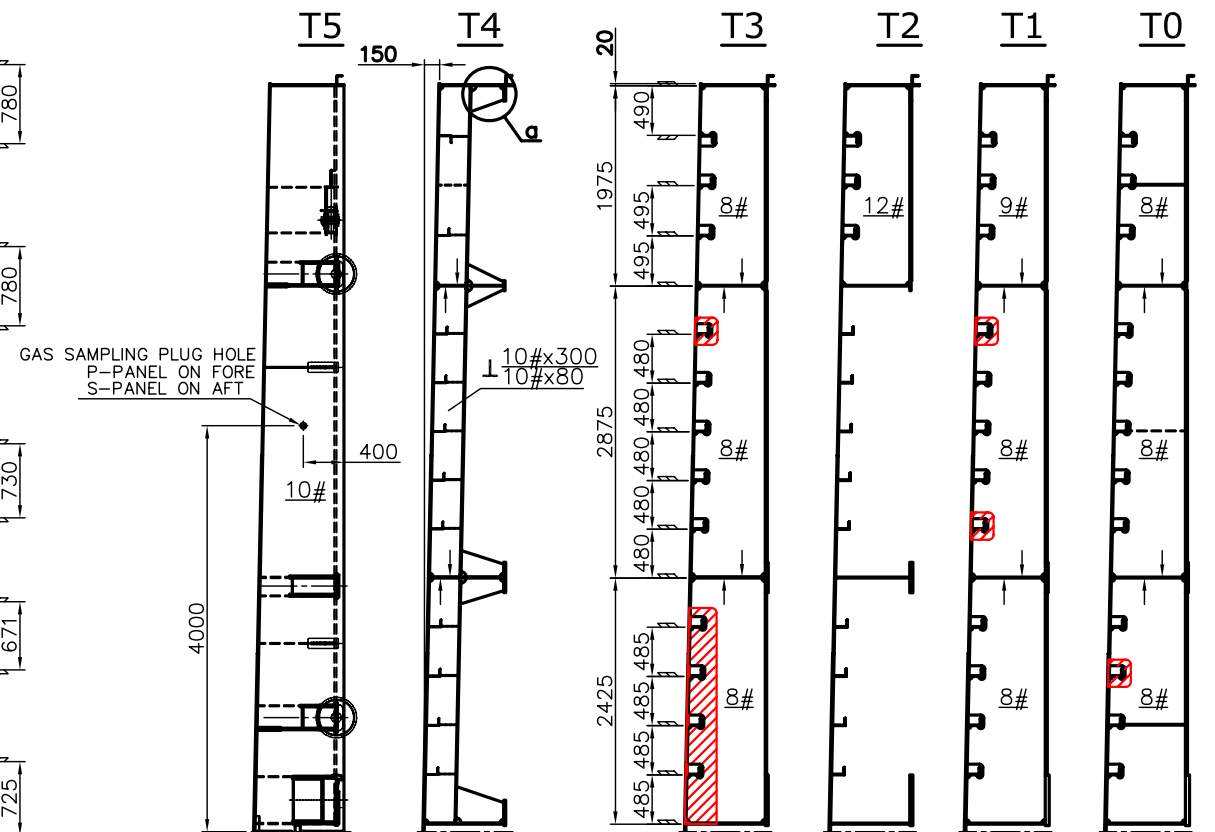
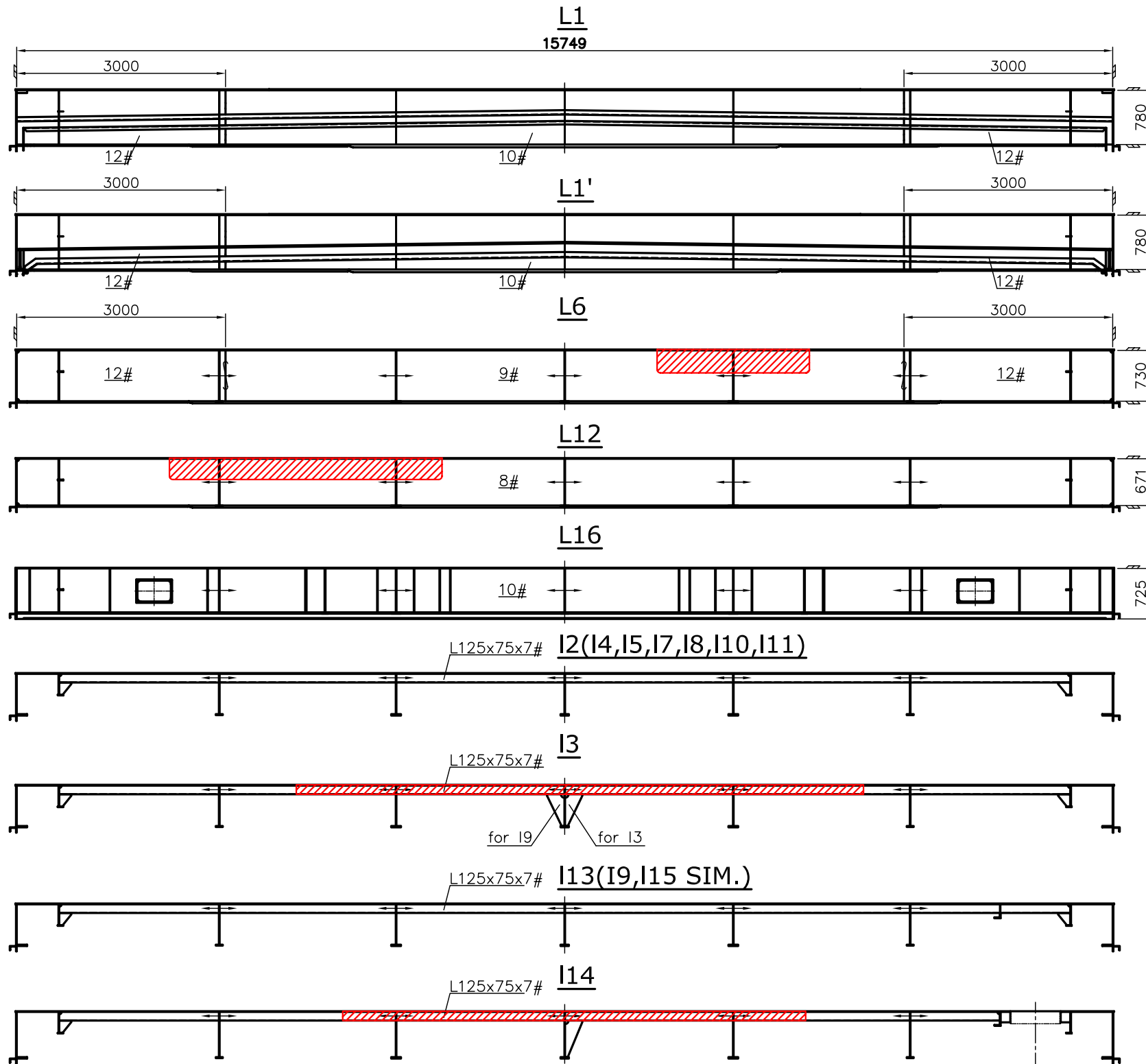
b-b (b'-b' SIM.)






- Notes :
- : To be renewed
 - : To be renewed

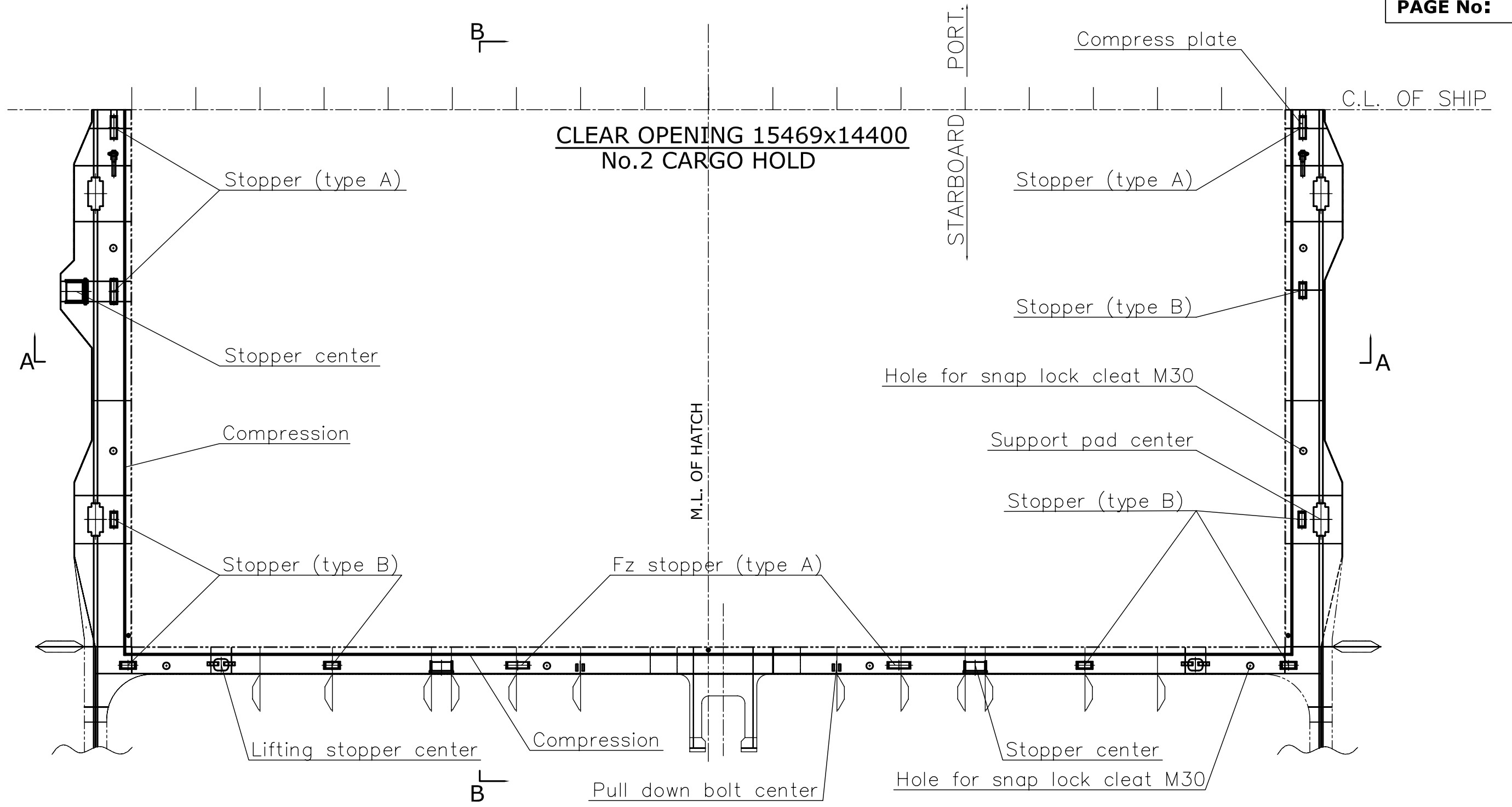


M/V "Sample"
Location of Structure:
 Side Rolling
Structural Member:
 Steel structure of no.2 Hatch Cover
Operator's Name:



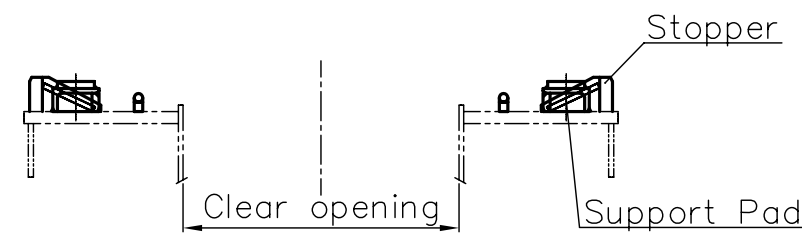
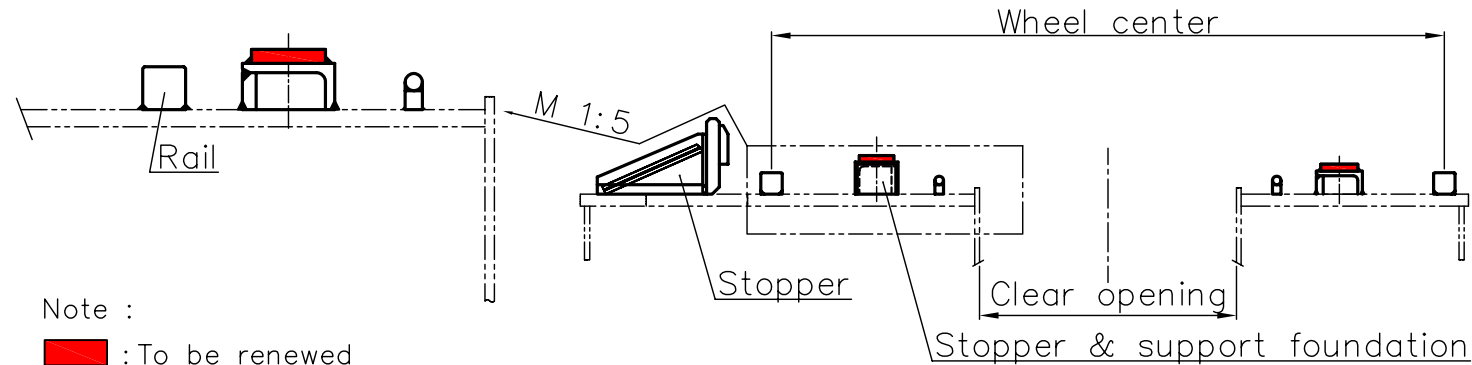
Notes :
 : To be renewed
 : To be renewed

	M/V "Sample"
	Location of Structure: Side Rolling
	Structural Member: Transverse & Long. Sections
	Operator's Name:



**A-A
LONGITUDINAL SECTION**

**B-B
TRANSVERSAL SECTION**



Note :
■ : To be renewed



M/V "Sample"
Location of Structure:
 Side Rolling
Structural Member:
 Interface of Hatch No.2
Operator's Name:

